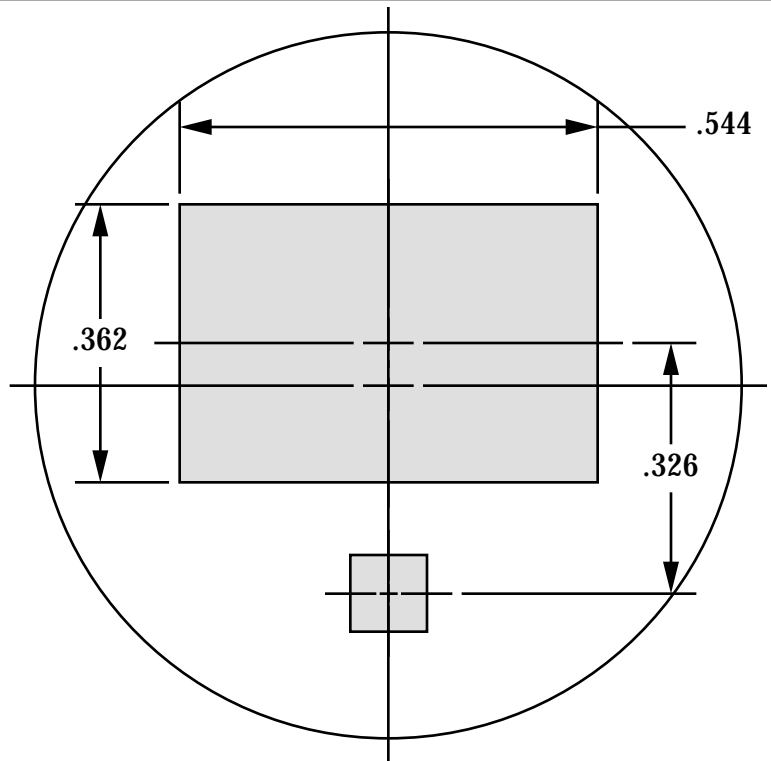
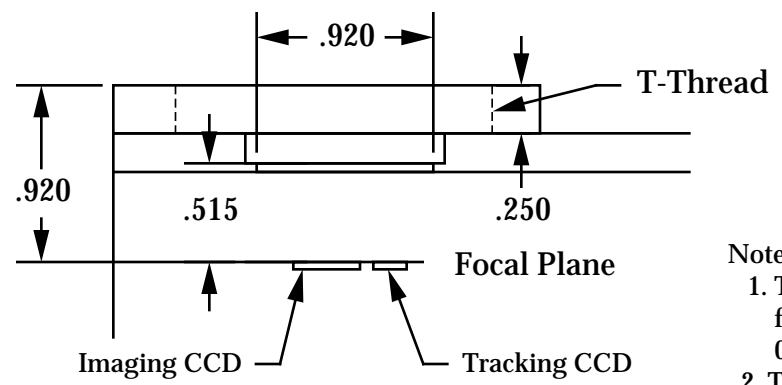


ST-7 Focal Plane  
View from Above  
Scale 4:1



ST-8 Focal Plane  
View from Above  
Scale 4:1



Vertical Stackup  
Scale 1:1

- Notes:
1. The optical center of the front window is displaced 0.055 towards the tracking CCD
  2. The optical center of the T-Thread is coincident with the center of the imaging CCD

Santa Barbara Instrument Group Santa Barbara, California 93108		
Title ST-7/ST-8 Focal Plane		
Size A	Document Number	Rev A
Date	Feb 17, 1995	Sheet 1 of 1