

FIGURE 7-24. Flipping of a tippie-top.

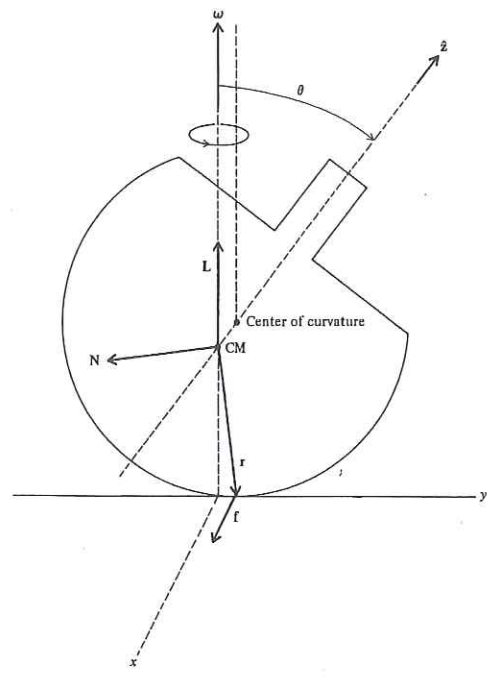
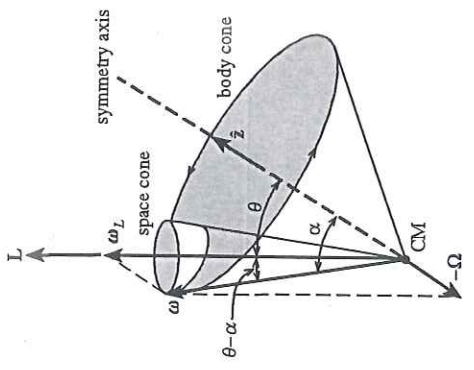
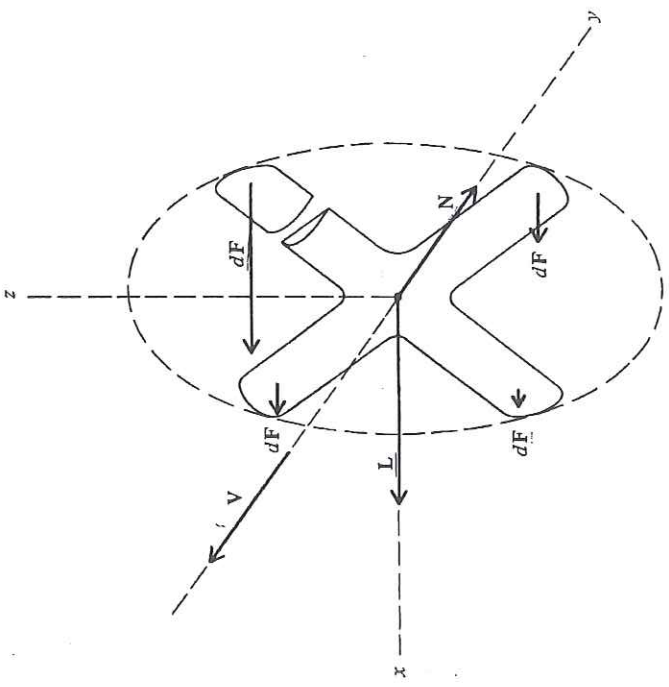
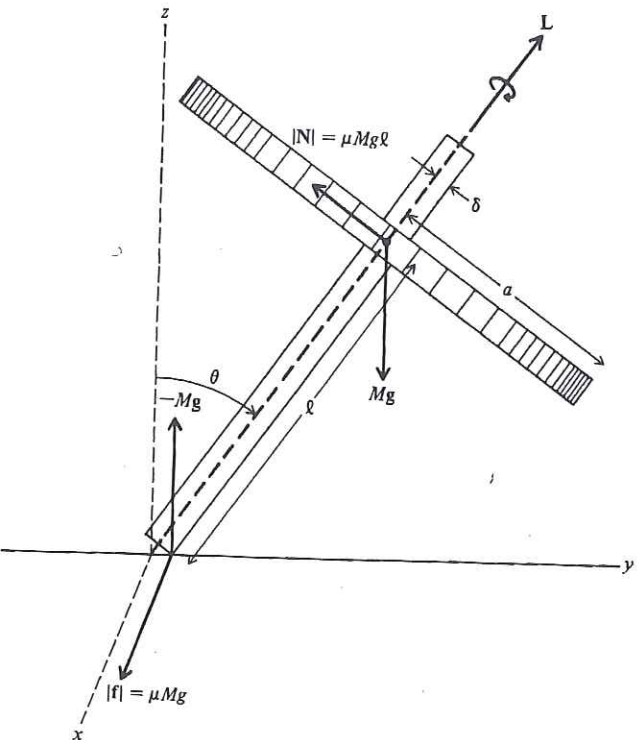
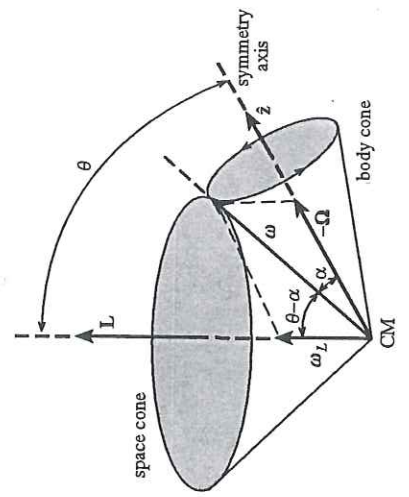


FIGURE 7-25. Frictional force and torque on a tippie-top.



(b) Oblate top



(a) Prolate top

FIGURE 7-19. Space and body cones for (a) prolate top, (b) oblate top.